



LEGEND

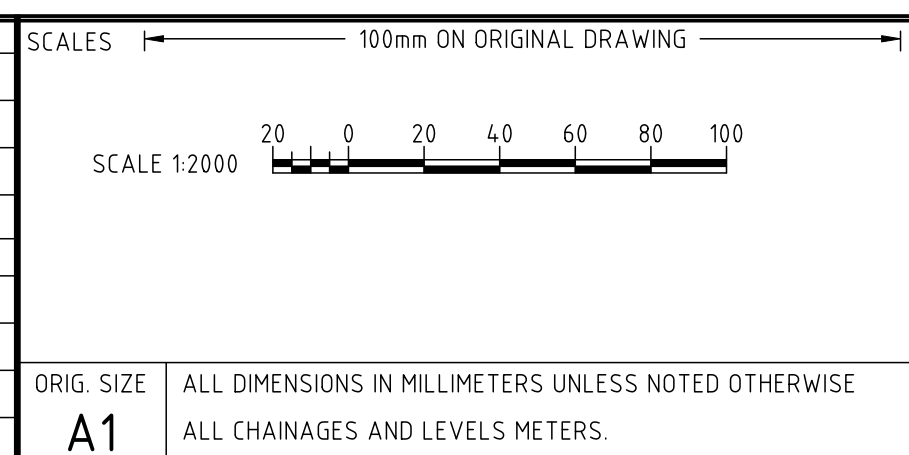
- SRM NEW SEWER RISING MAIN
- EFF EXISTING IRRIGATION RISING MAIN
- EFF NEW IRRIGATION RISING MAIN
- T(UG) PROPOSED RELOCATED UG TELECOMS
- T(UG) EXISTING UG TELECOMS
- E(UG) PROPOSED RELOCATED UG ELECTRICITY
- E(OH) EXISTING OH ELECTRICITY

PLAN
 SCALE @ A1 - 1:2000
 SCALE @ A3 - 1:4000



FOR TENDER
 NOT FOR CONSTRUCTION

PRELIMINARY DESIGN - REV A				
DATE:	01.06.22			
DRAWN:	B. JEDREJ			
DESIGNED:	B. JEDREJ			
CPENG No.	2823641			
FINAL DESIGN - REV 0				
DATE:	14.06.22			
DRAWN:	B. JEDREJ			
DESIGNED:	B. JEDREJ			
CPENG No.	2823641			
REV	DESCRIPTION	DATE	DWN	DGN
1	RELOCATED UNDERGROUND ELECTRICITY AND TELECOMS ADDED	04.07.22	BJ	BJ
0	FOR TENDER	14.06.22	BJ	BJ
	REVISIONS			



jed civil
 consulting
 645 Gleniffer Road, Gleniffer, NSW 2454
 E: ben.jedrej@jedcivil.com.au
 M: 0416 843 764

TITLE	CLARENCE VALLEY COUNCIL BROOMS HEAD OSMS TREATMENT PLANT UPGRADE
SITE LAYOUT	
DRAWING NUMBER	22007-011.01
REVISION	1