

PROPOSED RAMP SETOUT PLAN

SCALE 1:200

IMPOSED ACTIONS FOR HANDRAILS		
HORIZONTALS	VERTICALS	INWARD / OUTWARD
0.75 kN/m	0.75 kN/m	0.75 kN

WALKWAY RAMP DECK DESIGN LOADS	
MEMBER	LIVE LOAD
RAMP DECK	3.0 kPa



ISSUE	DATE	DESCRIPTION	APP'D
A	21/04/2021	TENDER ISSUE A	PC

CLIENT:

CLARENCE VALLEY COUNCIL

PROJECT:

**YAMBA BEACH ZIG-ZAG PATHWAY
YAMBA**

TITLE:

RAMP SETOUT PLAN

DO NOT SCALE DRAWING. USE WRITTEN DIMENSIONS ONLY
THIS PLAN IS COPYRIGHT © ALL RIGHTS RESERVED.

Ardill Payne & PARTNERS

ENGINEERS | PLANNERS | SURVEYORS | ENVIRONMENTAL | PROJECT MANAGEMENT

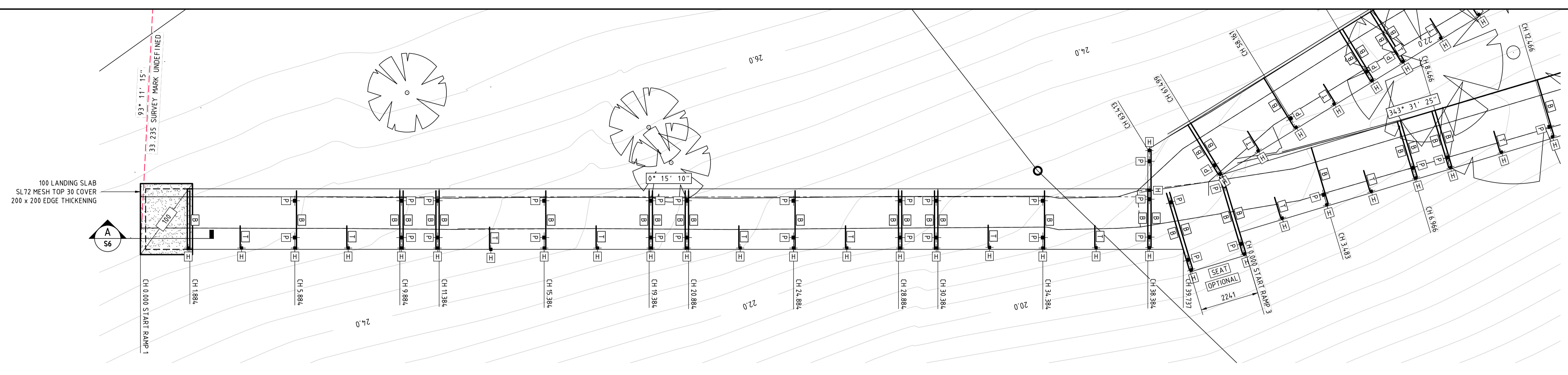
BALLINA 45 RIVER STREET 02 66863280
 GUNNEDAH 285 CONADILLY STREET 02 67429955
 ABN51808558977 info@ardillpayne.com.au

TENDER ISSUE

ISSUED FOR TENDER PURPOSES ONLY
NOT TO BE USED FOR CONSTRUCTION

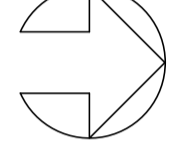
DESIGNED	DN	DRAWN	PKC	SCALE	1:200 - A1
CHECKED	DN	DATE	21/04/2021	DATUM	AHD
APPROVED	D.W. NIPROSKI - MIE Aust 3695768			CAD FILE	10252S1.dwg
JOB No	10252	DWG No	S1	ISSUE	A

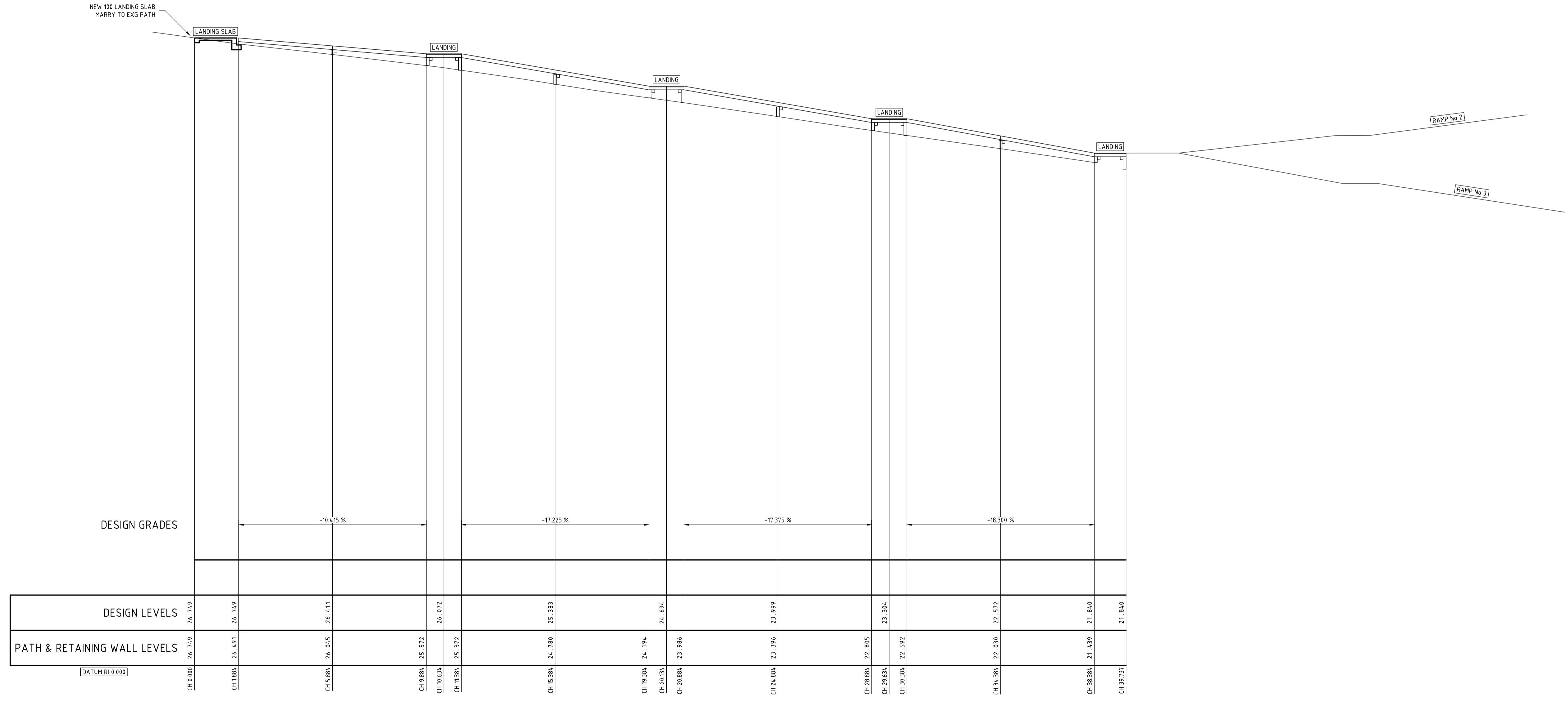
C:\APR\10252\10252S1.dwg 21/04/2021 11:04:31 AM



WFCT MEMBER SCHEDULE		
PILES		
MARK	MEMBER	NOTATIONS
P	WCFT SHS 125 x 125 x 6.5	DRIVEN PILE
BEARERS		
MARK	MEMBER	NOTATIONS
B	WCFT SHS 125 x 125 x 6.5	SINGLE SPAN (UND)
T	WCFT SHS 100 x 100 x 5.2	STANCHION BRACE
JOISTS (400 NOM CTRS)		
MARK	MEMBER	NOTATIONS
J	WCFT SHS 125 x 125 x 6.5	2 SPANS (LNG)
DECKING STANCHION HANDRAIL & KICK RAIL		
MARK	MEMBER	NOTATIONS
DECKING	DGS-VMIN-19 x 38	-
H	WCFT SHS 100 x 100 x 5.2	END CAP
R	WCFT RHS 100 x 75 x 5.1	MID-RAIL
K	40 x 90 DURAPLAS	DETAIL

ALL MEMBER SIZING IS SUBJECT CONFIRMATION BY THE FRP SUPPLIERS FINAL DESIGN


PLAN ON RAMP No 1
 SCALE 1:100 (NAT)
 DECK JOISTS NOT SHOWN FOR CLARITY - REFER DWGS 10252 S6 & S7 FOR JOIST SETOUT



LONGITUDINAL SECTION RAMP No 1
 SCALE 1:100 (NAT)

C:\APP\10252\10252S2.dwg 21/04/2021 11:04:36 AM

0	10	20	30	40	50	TABLE OF MILLIMETRES	100	150	200	250	300	350	400	450	500	550	600	650
A	21/04/2021	TENDER ISSUE A	PC															
ISSUE	DATE	DESCRIPTION	APP'D															

CLIENT:



CLARENCE VALLEY COUNCIL

PROJECT:

**YAMBA BEACH ZIG-ZAG PATHWAY
YAMBA**

TITLE:

**PLAN & LONGITUDINAL SECTION
RAMP No 1**

DO NOT SCALE DRAWING. USE WRITTEN DIMENSIONS ONLY
THIS PLAN IS COPYRIGHT © ALL RIGHTS RESERVED.



Ardill Payne & PARTNERS

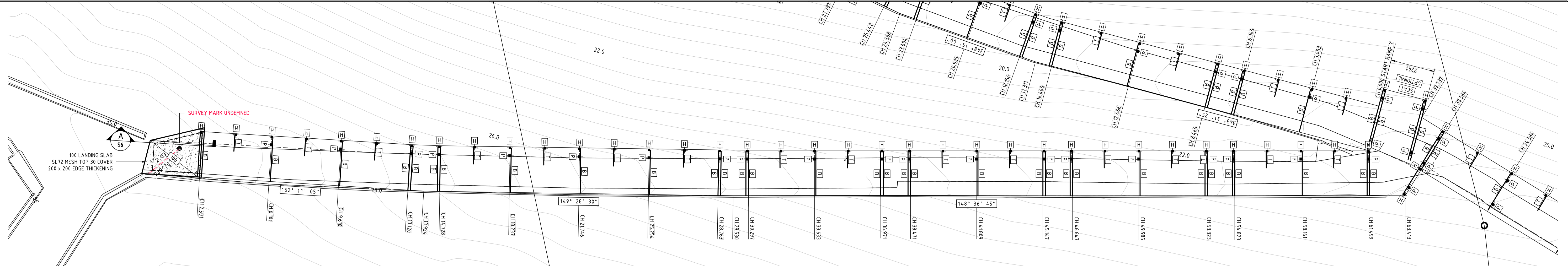
ENGINEERS | PLANNERS | SURVEYORS | ENVIRONMENTAL | PROJECT MANAGEMENT

BALLINA 45 RIVER STREET 02 66863280
 GUNNEDAH 285 CONADILLY STREET 02 67429955
 ABNS1808558977 info@ardillpayne.com.au

TENDER ISSUE

ISSUED FOR TENDER PURPOSES ONLY
NOT TO BE USED FOR CONSTRUCTION

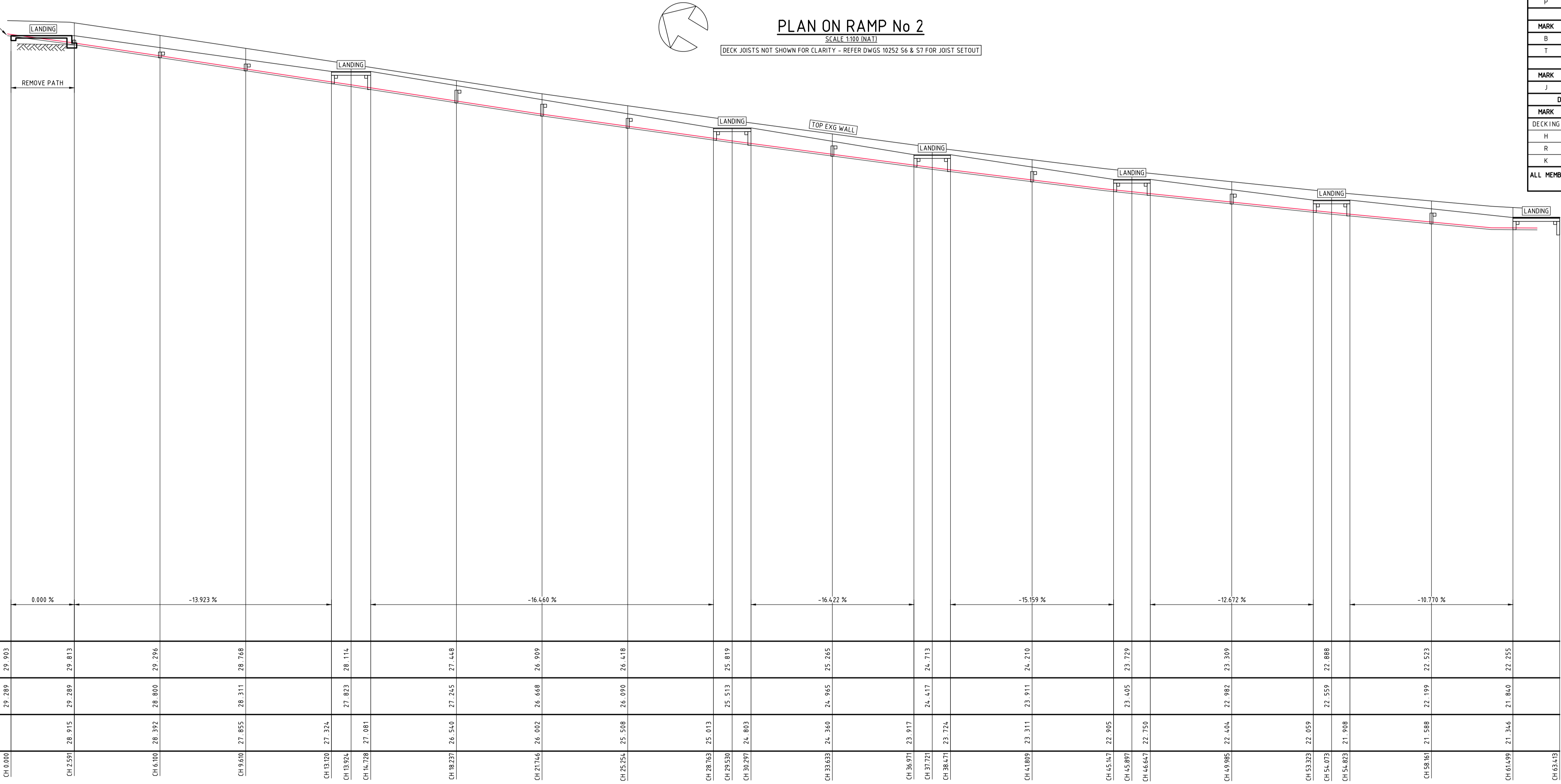
DESIGNED	DN	DRAWN	PKC	SCALE	1:100 - A1
CHECKED	DN	DATE	21/04/2021	DATUM	AHD
APPROVED	D.W.NIPROSKI - MIE Aust 3695768			CAD FILE	10252S2.dwg
JOB No	10252	DWG No	S2	ISSUE	A



PLAN ON RAMP No 2
SCALE 1:100 (NAT)

DECK JOISTS NOT SHOWN FOR CLARITY - REFER DWGS 10252 S6 & S7 FOR JOIST SETOUT

WCF MEMBER SCHEDULE		
PILES		
MARK	MEMBER	NOTATIONS
P	WCF SHS 125 x 125 x 6.5	DRIVEN PILE
BEARERS		
MARK	MEMBER	NOTATIONS
B	WCF SHS 125 x 125 x 6.5	SINGLE SPAN (UND)
T	WCF SHS 100 x 100 x 5.2	STANCHION BRACE
JOISTS (600 NOM CTRS)		
MARK	MEMBER	NOTATIONS
J	WCF SHS 125 x 125 x 6.5	2 SPANS (UND)
DECKING STANCHION HANDRAIL & KICK RAIL		
MARK	MEMBER	NOTATIONS
DECKING	DGS-VMIN-19 x 38	-
H	WCF SHS 100 x 100 x 5.2	END CAP
R	WCF RHS 100 x 75 x 5.1	MID-RAIL
K	40 x 90 DURAPLAS	DETAIL
ALL MEMBER SIZING IS SUBJECT CONFIRMATION BY THE FRP SUPPLIERS FINAL DESIGN		



LONGITUDINAL SECTION RAMP No 2
SCALE 1:100 (NAT)

CH	29.289	29.289	28.800	28.311	28.114	27.448	26.909	26.418	25.513	24.965	24.713	24.210	23.729	22.982	22.523	22.255
TOP OF RETAINING WALL LEVELS	29.903	29.813	29.296	28.768	28.114	27.448	26.909	26.418	25.513	24.965	24.713	24.210	23.729	22.982	22.523	22.255
DESIGN LEVELS	29.289	29.289	28.800	28.311	28.114	27.448	26.909	26.418	25.513	24.965	24.713	24.210	23.729	22.982	22.523	22.255
PATH & RETAINING WALL LEVELS	28.915	28.915	28.392	27.855	27.324	26.802	26.271	25.740	24.803	24.272	23.741	23.210	22.679	22.148	21.617	21.086
DATUM (RL 0.000)	CH 0.000	CH 2.591	CH 6.100	CH 9.610	CH 13.120	CH 16.630	CH 20.140	CH 23.650	CH 27.160	CH 30.670	CH 34.180	CH 37.690	CH 41.200	CH 44.710	CH 48.220	CH 51.730

ISSUE	DATE	DESCRIPTION	APP'D
A	21/04/2021	TENDER ISSUE A	PC



CLIENT: **CLARENCE VALLEY COUNCIL**

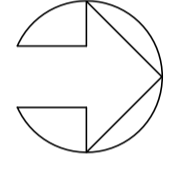
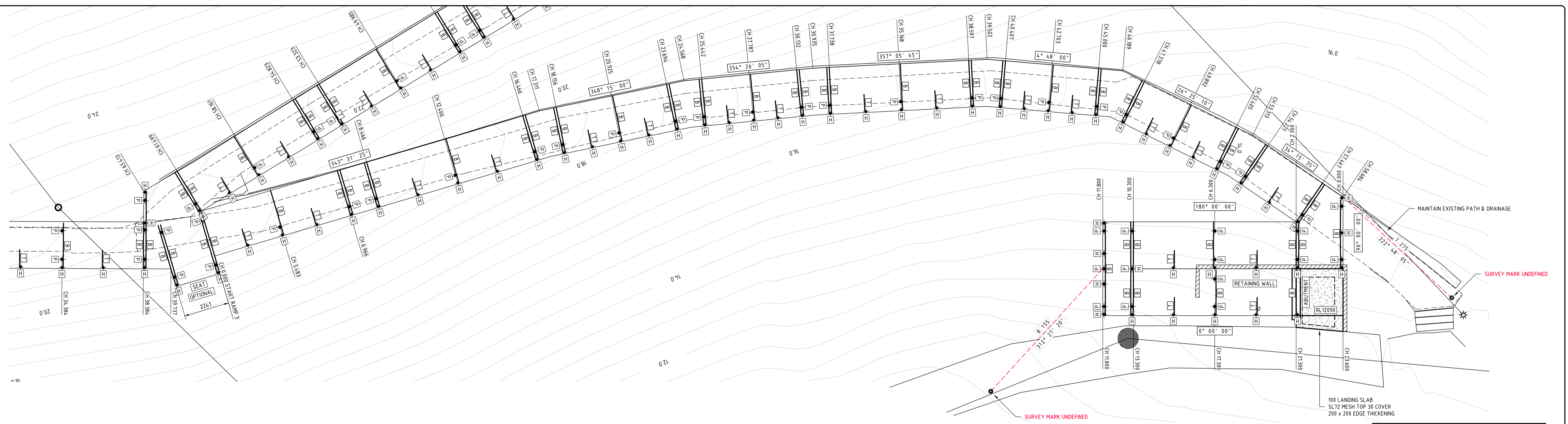
PROJECT: **YAMBA BEACH ZIG-ZAG PATHWAY YAMBA**

TITLE: **PLAN & LONGITUDINAL SECTION RAMP No 2**



TENDER ISSUE			
ISSUED FOR TENDER PURPOSES ONLY NOT TO BE USED FOR CONSTRUCTION			
DESIGNED	DN	DRAWN	PKC
CHECKED	DN	DATE	21/04/2021
APPROVED	D.W.NIPROSKI	MIE Aust 3695768	CAD FILE
JOB No	10252	DWG No	S3
ISSUE	A		

C:\APP\10252\10252S2.dwg 21/04/2021 11:04:39 AM

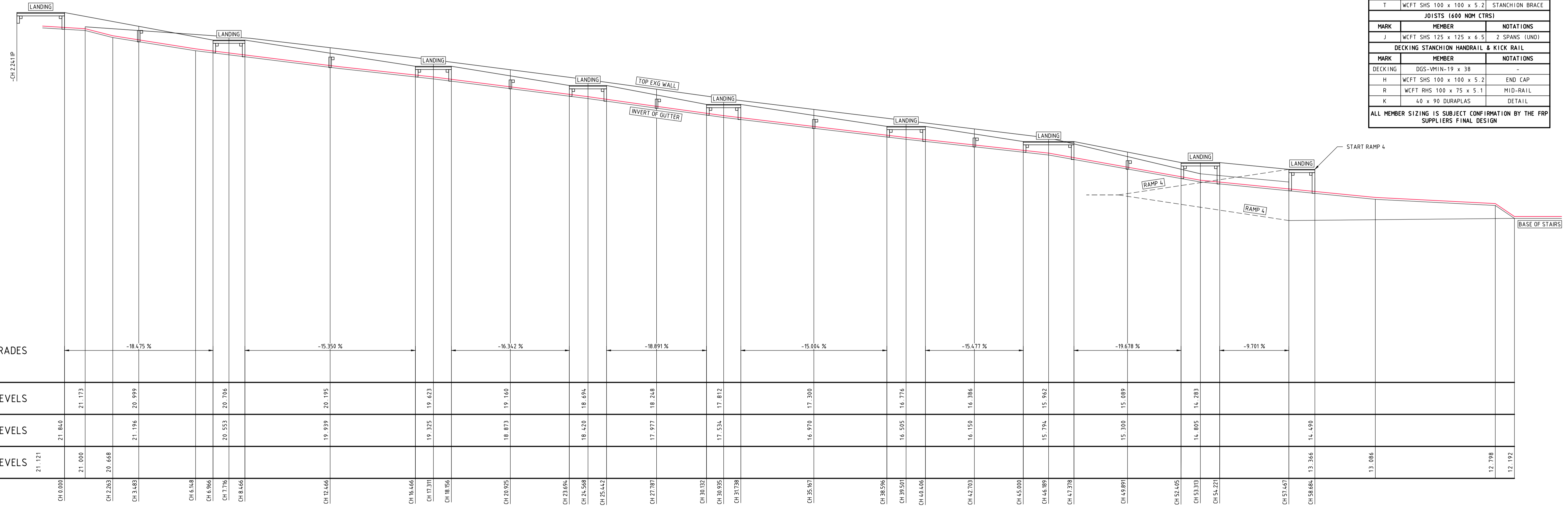


PLAN ON RAMP No 3

SCALE 1:100 (NAT)

DECK JOISTS NOT SHOWN FOR CLARITY - REFER DWGS 10252 S6 & S7 FOR JOIST SETOUT

WCFT MEMBER SCHEDULE		
PILES		
MARK	MEMBER	NOTATIONS
P	WCFT SHS 125 x 125 x 6.5	DRIVEN PILE
BEARERS		
MARK	MEMBER	NOTATIONS
B	WCFT SHS 125 x 125 x 6.5	SINGLE SPAN (UND)
T	WCFT SHS 100 x 100 x 5.2	STANCHION BRACE
JOISTS (600 NOM CTRS)		
MARK	MEMBER	NOTATIONS
J	WCFT SHS 125 x 125 x 6.5	2 SPANS (UND)
DECKING STANCHION HANDRAIL & KICK RAIL		
MARK	MEMBER	NOTATIONS
D	DGS-VMIN-19 x 38	-
H	WCFT SHS 100 x 100 x 5.2	END CAP
R	WCFT RHS 100 x 75 x 5.1	MID-RAIL
K	40 x 90 DURAPLAS	DETAIL
ALL MEMBER SIZING IS SUBJECT CONFIRMATION BY THE FRP SUPPLIERS FINAL DESIGN		



LONGITUDINAL SECTION RAMP No 3

SCALE 1:100 (NAT)

C:\APP\10252\10252S2.dwg 21/04/2021 11:04:44 AM

0	10	20	30	40	50	100	150	200	250	300	350	400	450	500	550	600	650
50 TABLE OF MILLIMETRES																	
ISSUE	DATE	DESCRIPTION	APP'D														
A	21/04/2021	TENDER ISSUE A	PC														

CLIENT:

CLARENCE VALLEY COUNCIL

PROJECT:

**YAMBA BEACH ZIG-ZAG PATHWAY
YAMBA**

TITLE:

**PLAN & LONGITUDINAL SECTION
RAMP No 3**

DO NOT SCALE DRAWING. USE WRITTEN DIMENSIONS ONLY
THIS PLAN IS COPYRIGHT © ALL RIGHTS RESERVED.

Ardill Payne & PARTNERS

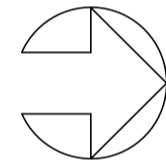
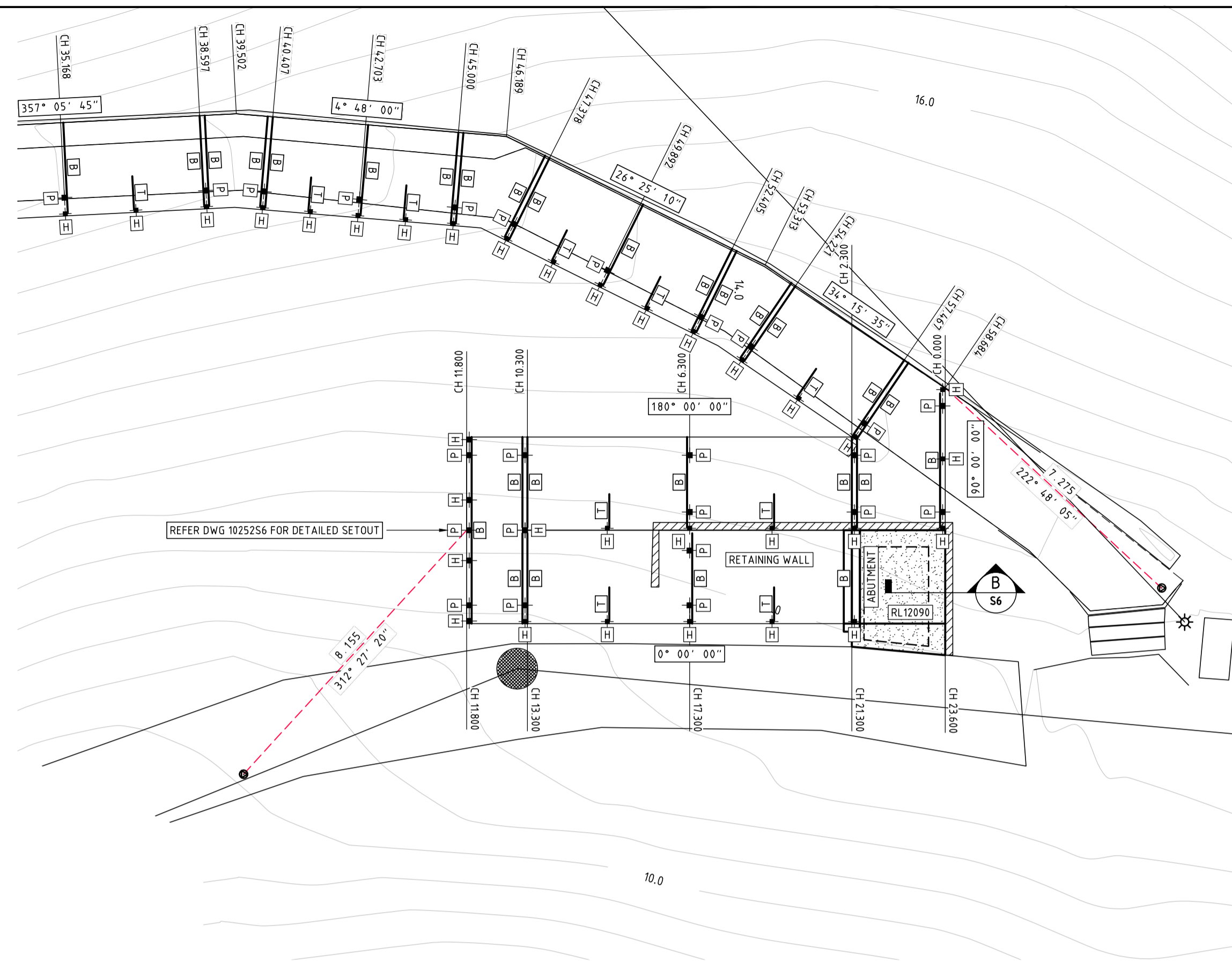
ENGINEERS | PLANNERS | SURVEYORS | ENVIRONMENTAL | PROJECT MANAGEMENT

BALLINA 45 RIVER STREET 02 66863280
GUNNEDAH 285 CONADILLY STREET 02 67429955
ABNS1808558977 info@ardillpayne.com.au

TENDER ISSUE

ISSUED FOR TENDER PURPOSES ONLY
NOT TO BE USED FOR CONSTRUCTION

DESIGNED	DN	DRAWN	PKC	SCALE	1:100 - A1
CHECKED	DN	DATE	21/04/2021	DATUM	AHD
APPROVED	D.W.NIPROSKI - MIE Aust 3695768	CAD FILE	10252S2.dwg		
JOB No	10252	DWG No	S4	ISSUE	A



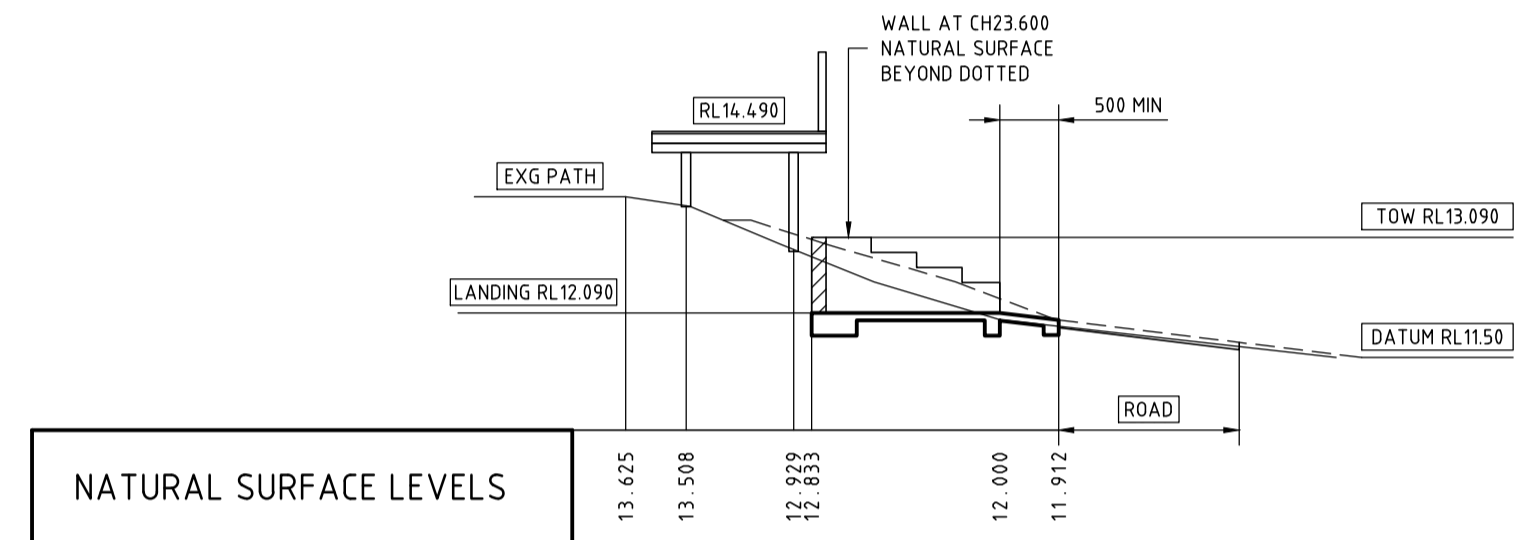
PLAN ON RAMP No 4

SCALE 1:100 (NAT)

DECK JOISTS NOT SHOWN FOR CLARITY - REFER DWGS 10252 S6 & S7 FOR JOIST SETOUT

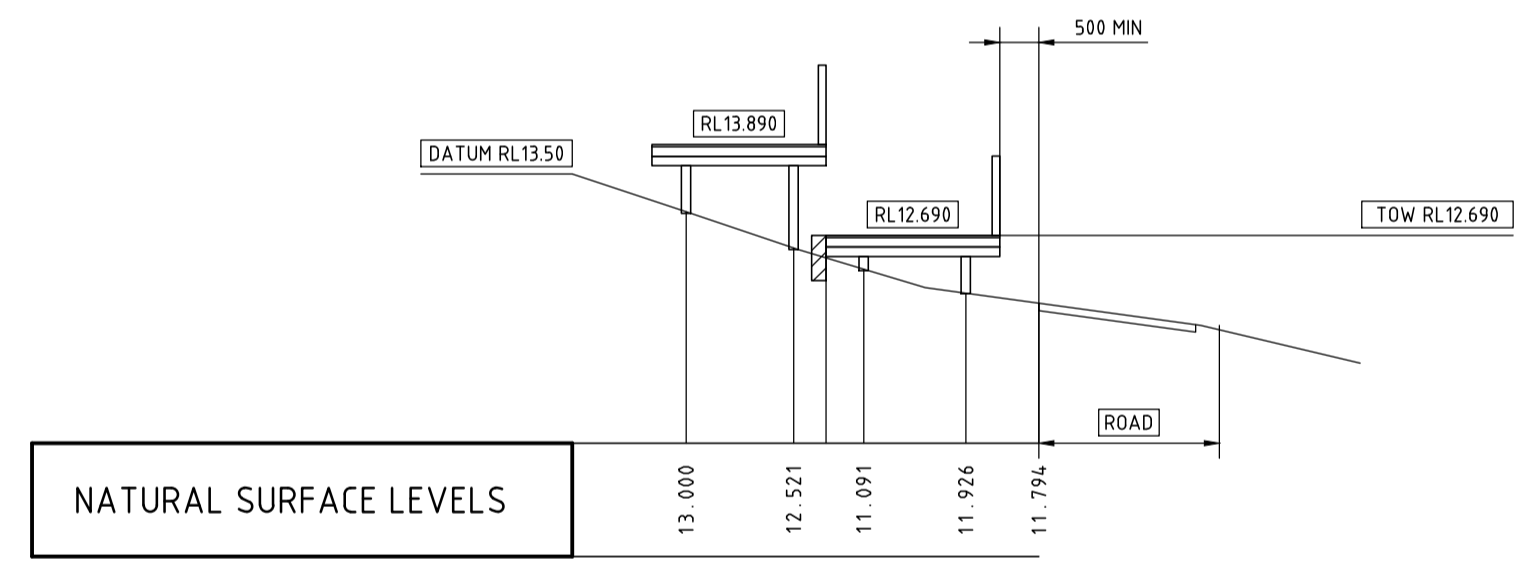
WCFT MEMBER SCHEDULE		
PILES		
MARK	MEMBER	NOTATIONS
P	WCFT SHS 125 x 125 x 6.5	DRIVEN PILE
BEARERS		
MARK	MEMBER	NOTATIONS
B	WCFT SHS 125 x 125 x 6.5	SINGLE SPAN (UND)
T	WCFT SHS 100 x 100 x 5.2	STANCHION BRACE
JOISTS (400 NOM CTRS)		
MARK	MEMBER	NOTATIONS
J	WCFT SHS 125 x 125 x 6.5	2 SPANS (UND)
DECKING STANCHION HANDRAIL & KICK RAIL		
MARK	MEMBER	NOTATIONS
DECKING	DGS-VMIN-19 x 38	-
H	WCFT SHS 100 x 100 x 5.2	END CAP
R	WCFT RHS 100 x 75 x 5.1	MID-RAIL
K	40 x 90 DURAPLAS	DETAIL

ALL MEMBER SIZING IS SUBJECT CONFIRMATION BY THE FRP SUPPLIERS FINAL DESIGN



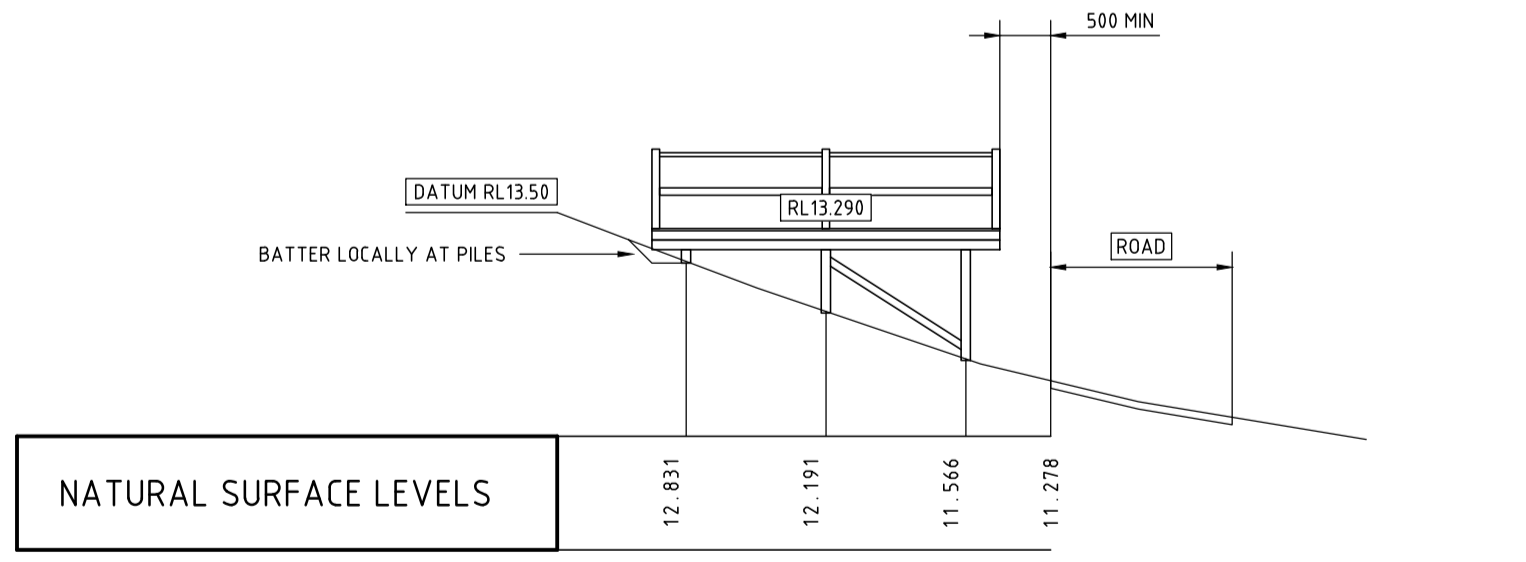
CROSS SECTION RAMP No 4 CH2.300 & CH21.300

SCALE 1:100 (NAT)



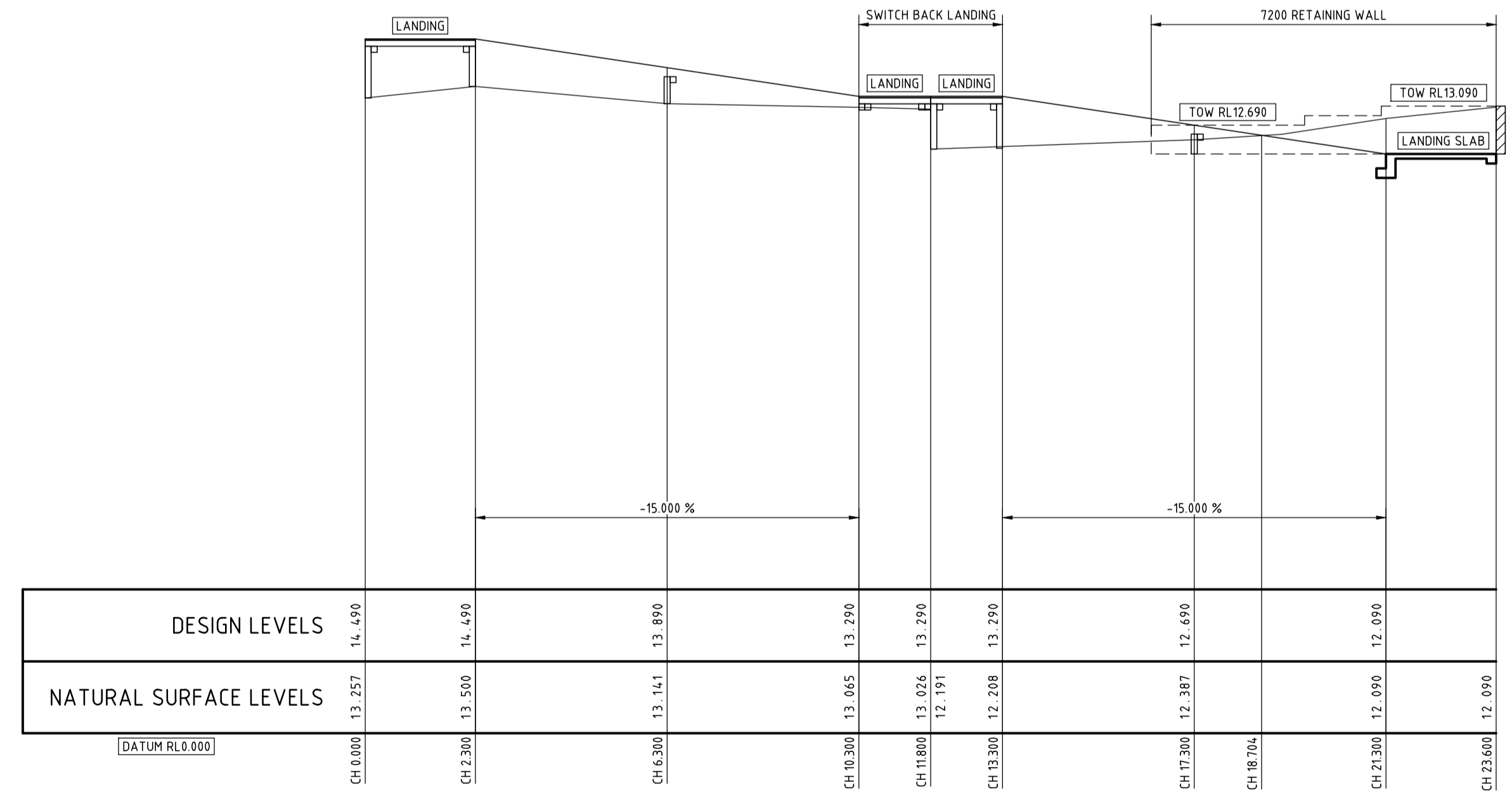
CROSS SECTION RAMP No 4 CH6.300 & CH17.300

SCALE 1:100 (NAT)



CROSS SECTION RAMP No 4 CH11.800

SCALE 1:100 (NAT)



LONGITUDINAL SECTION RAMP No 4

SCALE 1:100 (NAT)

C:\APR\10252\10252S2.dwg 21/04/2021 11:04:49 AM

0	10	20	30	40	50	TABLE OF MILLIMETRES	100	150	200	250	300	350	400	450	500	550	600	650
A	21/04/2021	TENDER ISSUE A	PC															
ISSUE	DATE	DESCRIPTION	APP'D															

CLIENT:

CLARENCE VALLEY COUNCIL

PROJECT:

**YAMBA BEACH ZIG-ZAG PATHWAY
YAMBA**

TITLE:

**PLAN & LONGITUDINAL SECTION
RAMP No 4**

DO NOT SCALE DRAWING. USE WRITTEN DIMENSIONS ONLY
THIS PLAN IS COPYRIGHT © ALL RIGHTS RESERVED.

Ardill Payne & PARTNERS

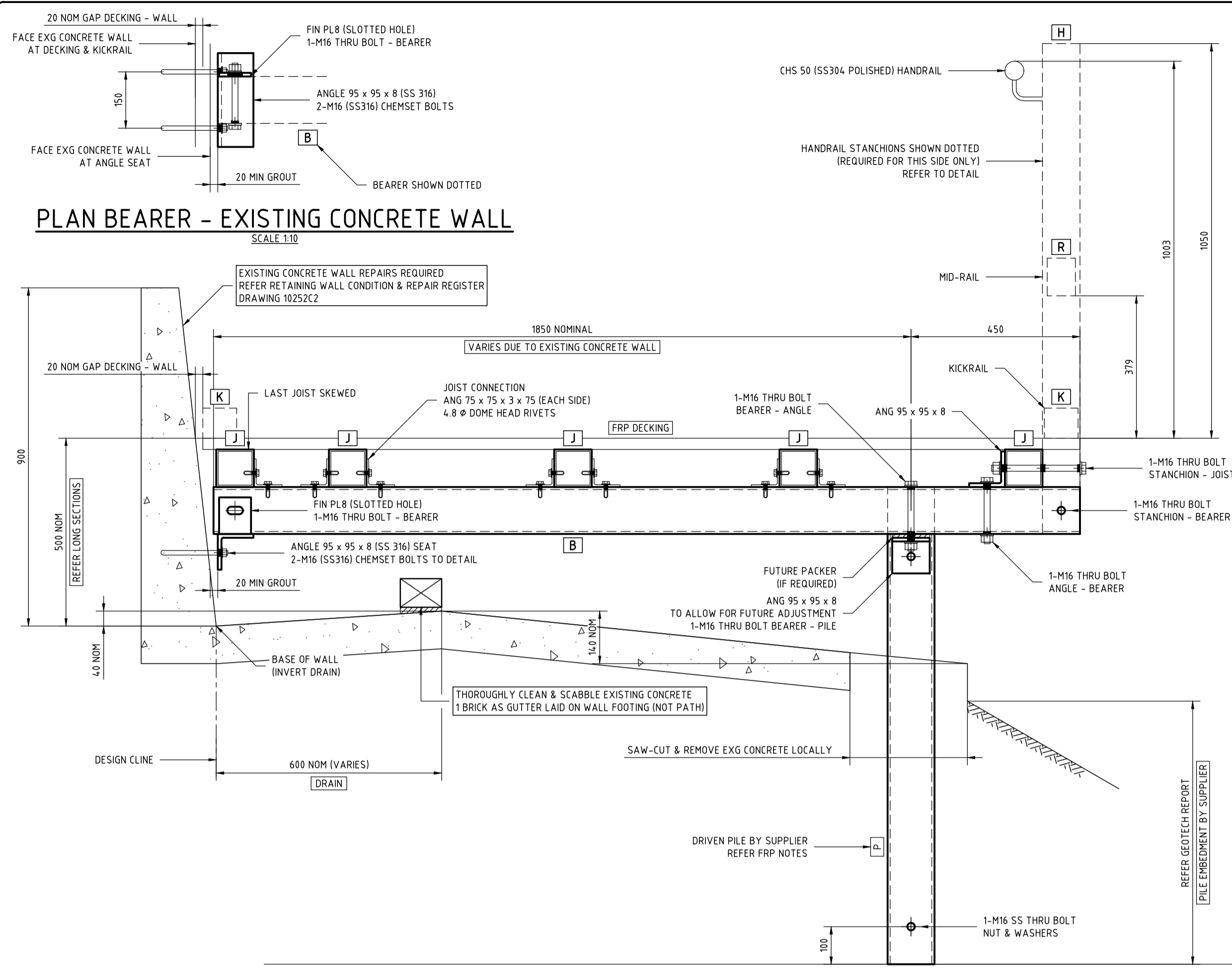
ENGINEERS | PLANNERS | SURVEYORS | ENVIRONMENTAL | PROJECT MANAGEMENT

BALLINA 45 RIVER STREET 02 66863280
GUNNEDAH 285 CONADILLY STREET 02 67429955
ABNS1808558977 info@ardillpayne.com.au

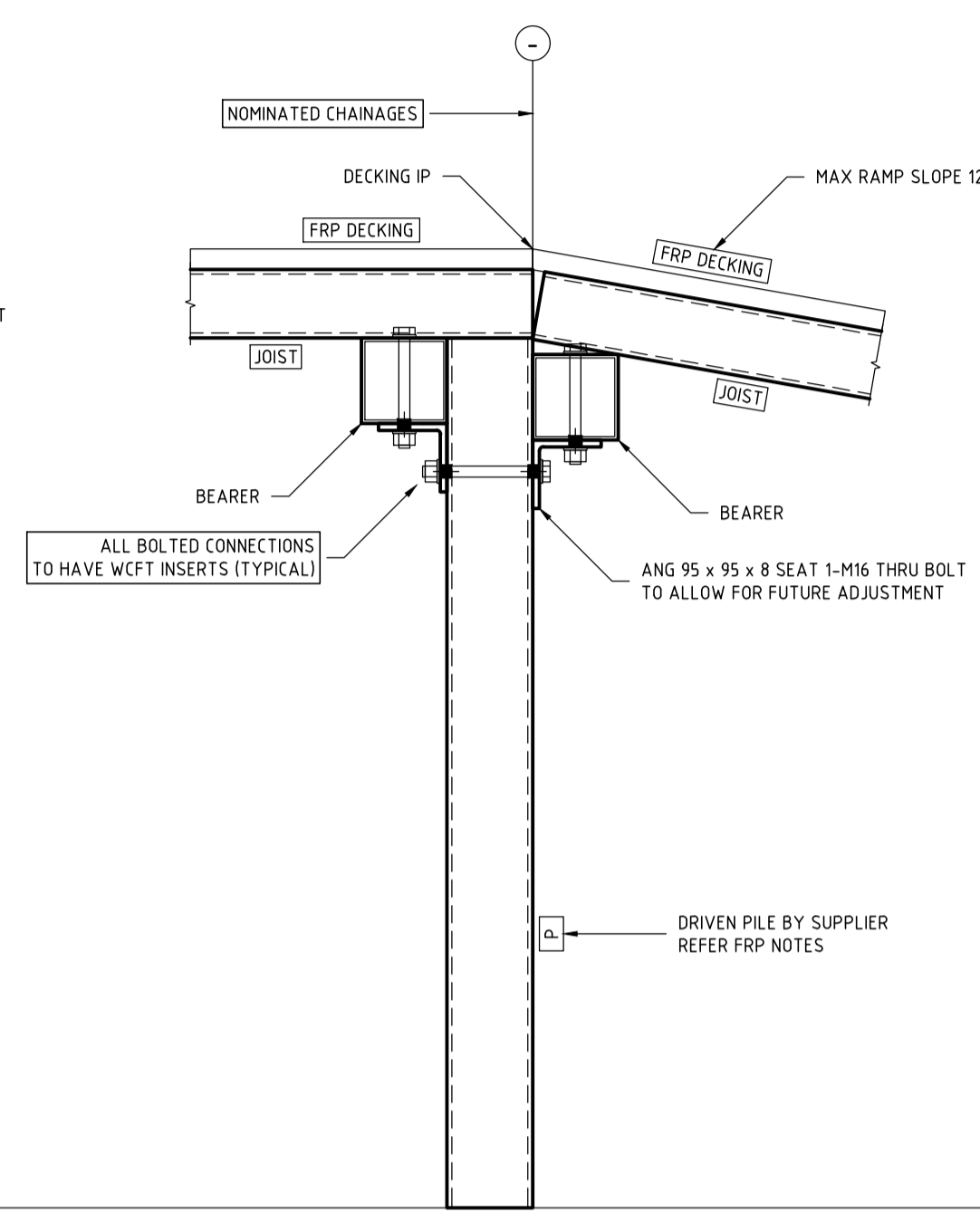
TENDER ISSUE

ISSUED FOR TENDER PURPOSES ONLY
NOT TO BE USED FOR CONSTRUCTION

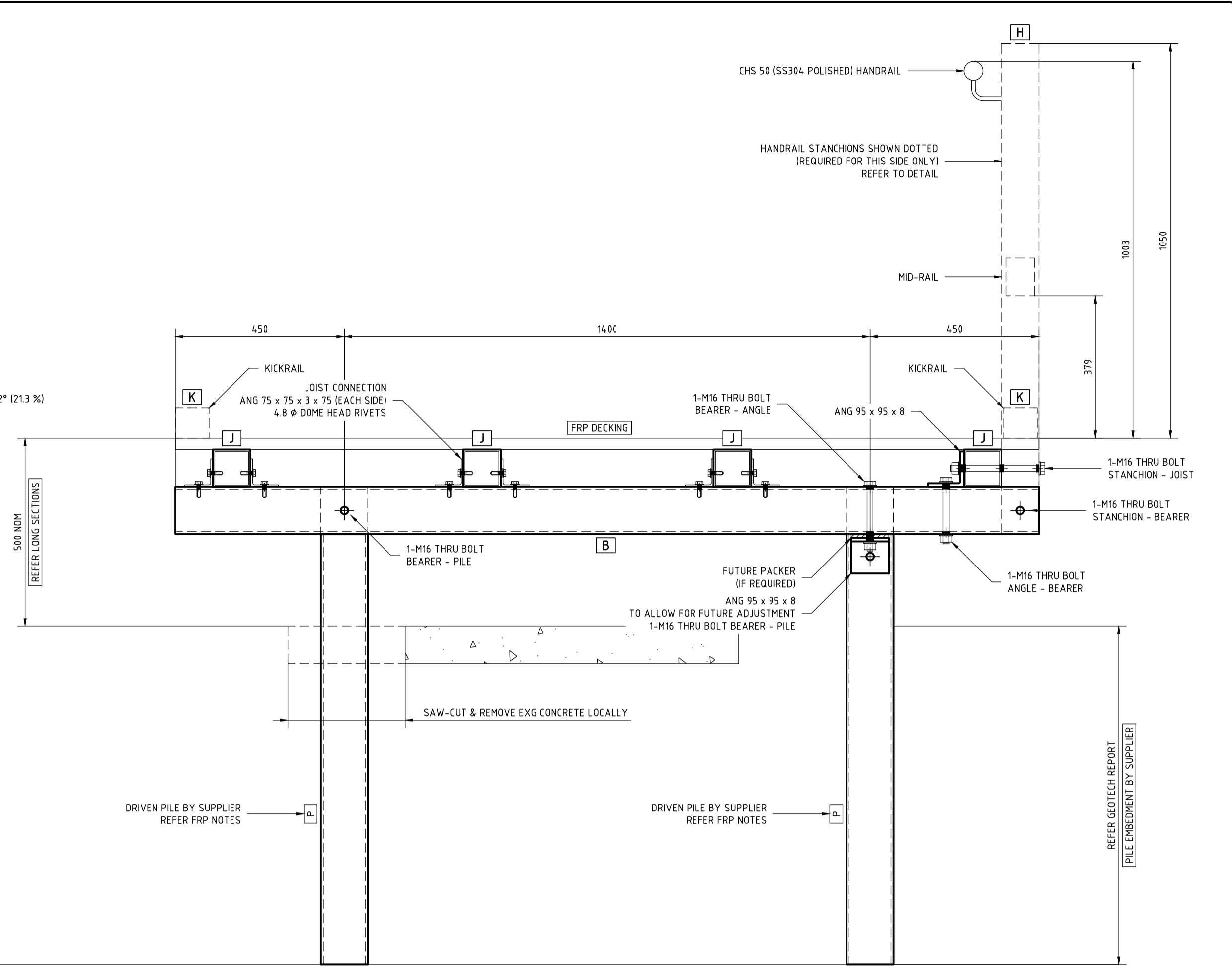
DESIGNED	DN	DRAWN	PKC	SCALE	1:100 - A1
CHECKED	DN	DATE	21/04/2021	DATUM	AHD
APPROVED	D.W.NIPROSKI	MIE Aust 3695768		CAD FILE	10252S2.dwg
JOB No	10252	DWG No	S5	ISSUE	A



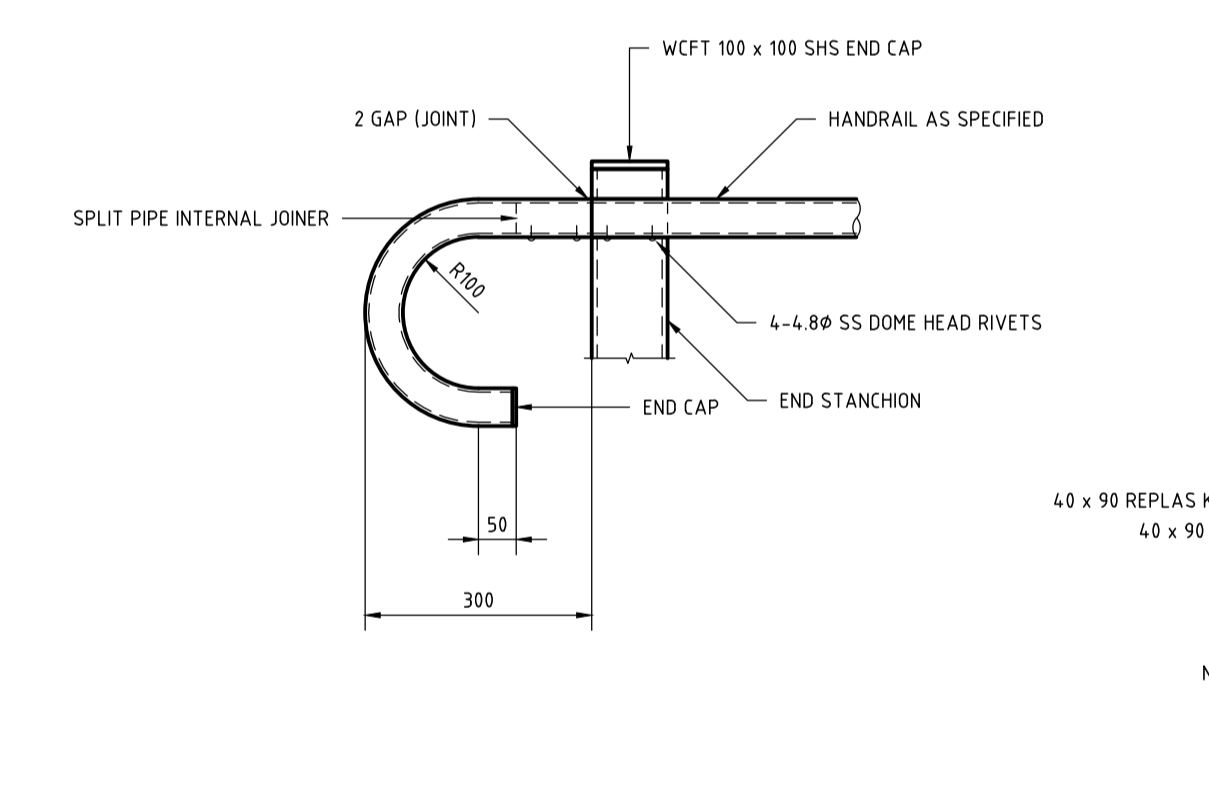
TYPICAL CROSS SECTION RAMPS 2 & 3 (GENERAL ARRANGEMENT) SCALE 1:10



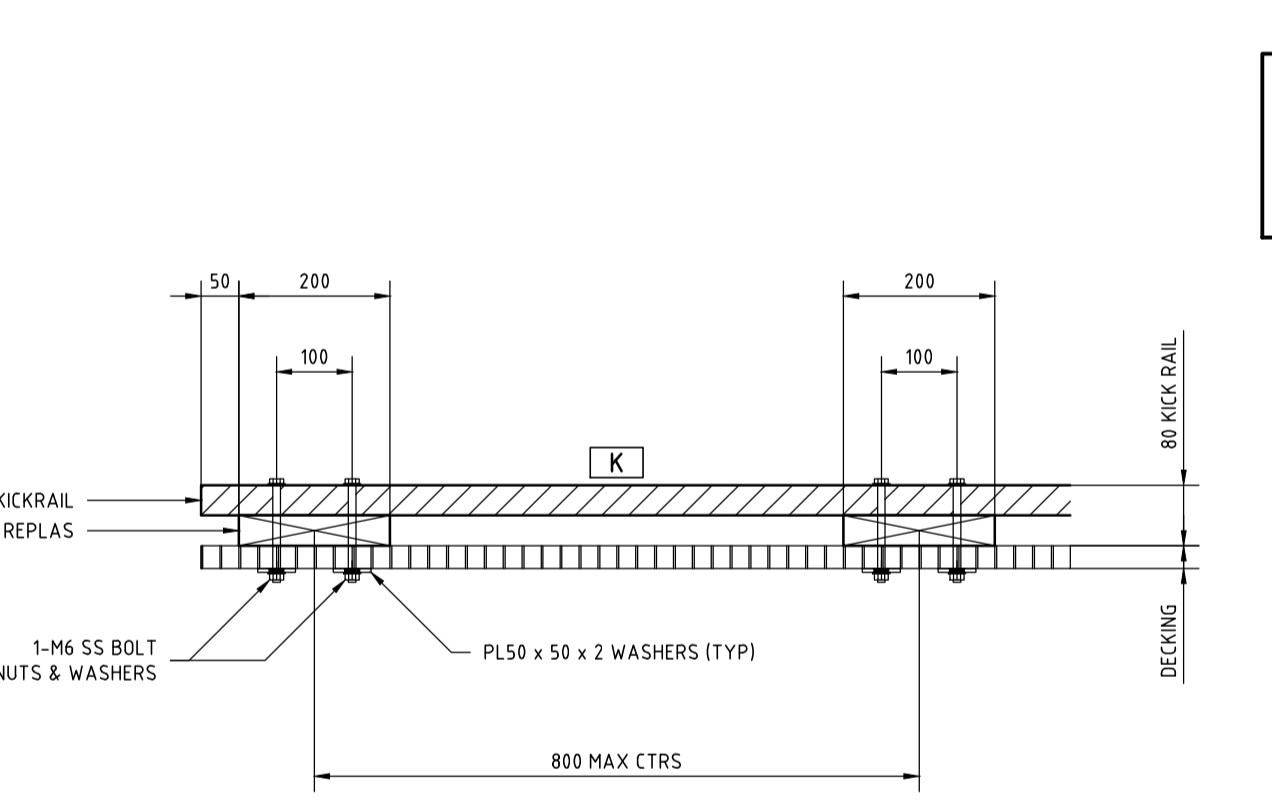
DECK - RAMP BEARERS (GENERAL ARRANGEMENT) SCALE 1:10



TYPICAL CROSS SECTION RAMPS 1 (GENERAL ARRANGEMENT) RAMP 4 SIMILAR SCALE 1:10

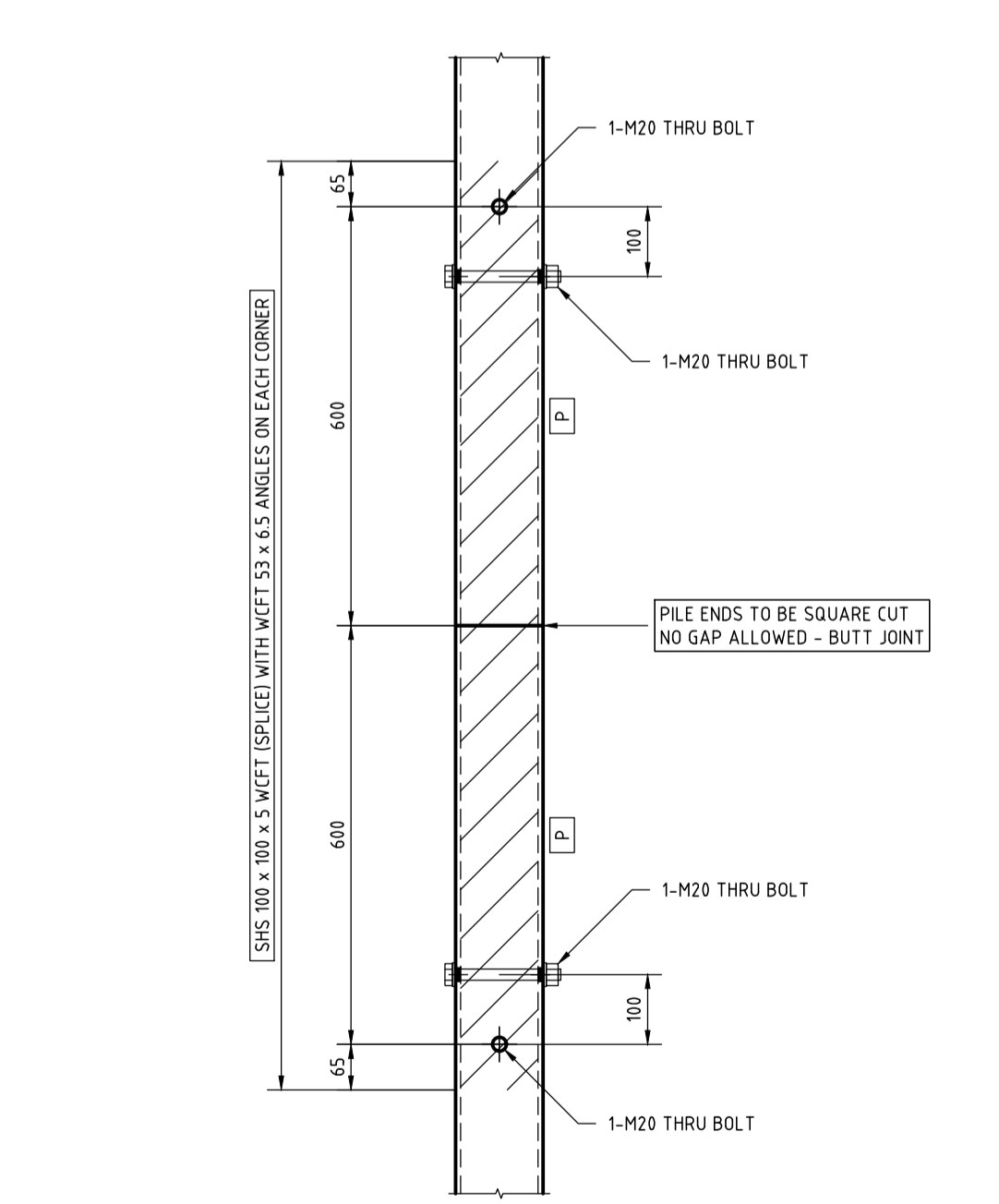


HANDRAIL END RETURN (GENERAL ARRANGEMENT) SCALE 1:10

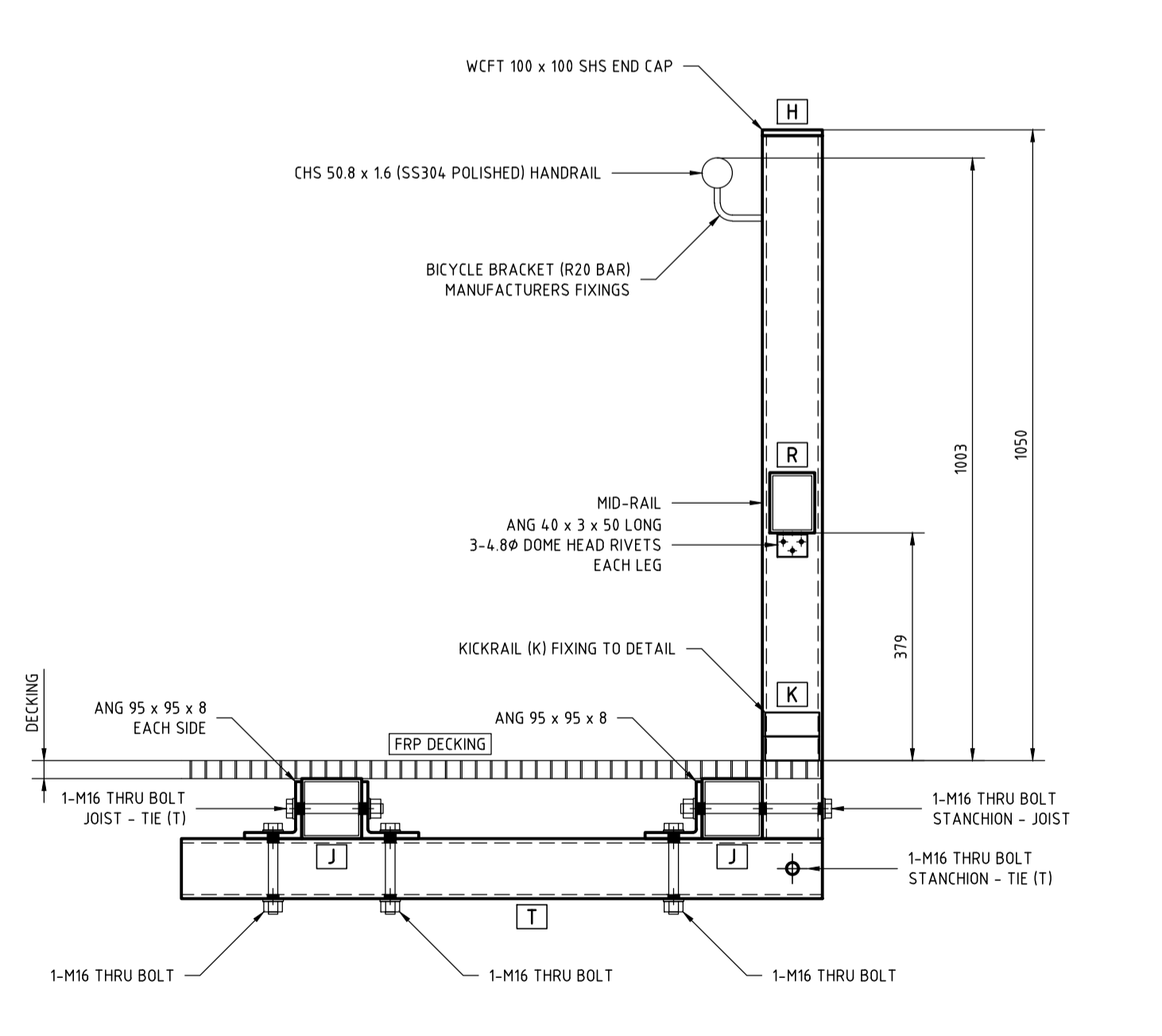


KICKRAIL - DECK (GENERAL ARRANGEMENT) SCALE 1:10

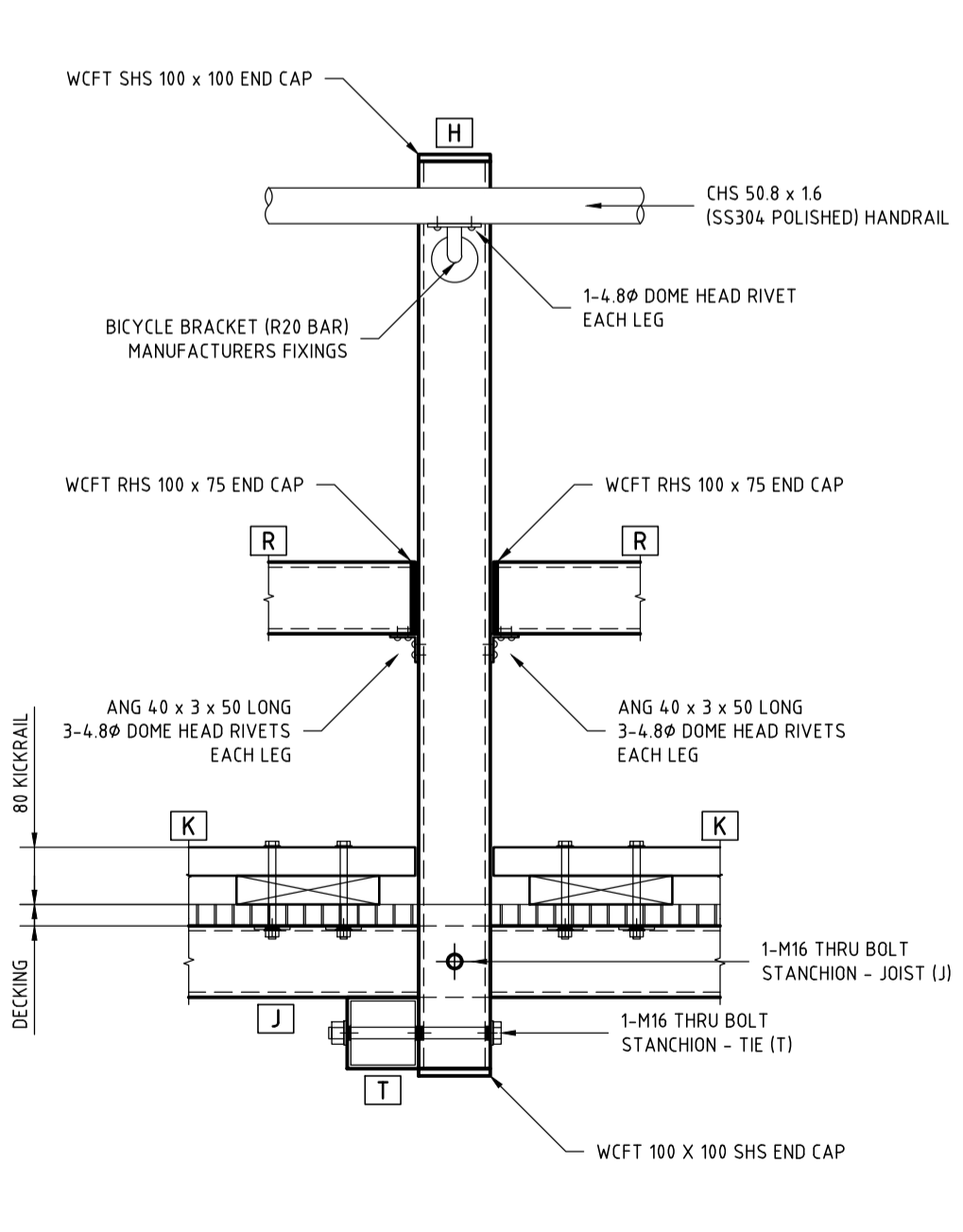
ALL FRP CONNECTION DETAILS ARE SHOWN INDICATIVELY ONLY
SUBJECT TO THE FRP CONTRACTORS FINAL DETAIL
ALL CONNECTIONS & FIXINGS INCLUDING NUTS BOLTS & WASHERS
TO BE STAINLESS STEEL GRADE 316 (UNO)



PILE SPLICE (GENERAL ARRANGEMENT) SCALE 1:10



MID-SPAN STANCHION (GENERAL ARRANGEMENT) SCALE 1:10



HANDRAIL (GENERAL ARRANGEMENT) SCALE 1:10

WCFT MEMBER SCHEDULE		
PILES		
MARK	MEMBER	NOTATIONS
P	WCFT SHS 125 x 125 x 6.5	DRIVEN PILE
BEARERS		
MARK	MEMBER	NOTATIONS
B	WCFT SHS 125 x 125 x 6.5	SINGLE SPAN (UNO)
T	WCFT SHS 100 x 100 x 5.2	STANCHION BRACE
JOISTS (600 NOM CTRS)		
MARK	MEMBER	NOTATIONS
J	WCFT SHS 125 x 125 x 6.5	2 SPANS (UNO)
DECKING STANCHION HANDRAIL & KICK RAIL		
MARK	MEMBER	NOTATIONS
DECKING	DGS-VN11-19 x 38	
H	WCFT SHS 100 x 100 x 5.2	END CAP
R	WCFT RHS 100 x 75 x 5.1	MID-RAIL
K	40 x 90 DURAPLAS	DETAIL

ALL MEMBER SIZING IS SUBJECT CONFIRMATION BY THE FRP SUPPLIERS FINAL DESIGN

DECK - JOIST FIXING (GENERAL ARRANGEMENT) SCALE 1:10

0	10	20	30	40	50
TABLE OF MILLIMETRES					

CLIENT:

PROJECT: YAMBA BEACH ZIG-ZAG PATHWAY YAMBA

TITLE: RAMP CROSS SECTIONS GENERAL ARRANGEMENT

ISSUED FOR TENDER PURPOSES ONLY NOT TO BE USED FOR CONSTRUCTION

TENDER ISSUE

A	21/04/2021	TENDER ISSUE A	PC
ISSUE	DATE	DESCRIPTION	APP'D

CLIENT:

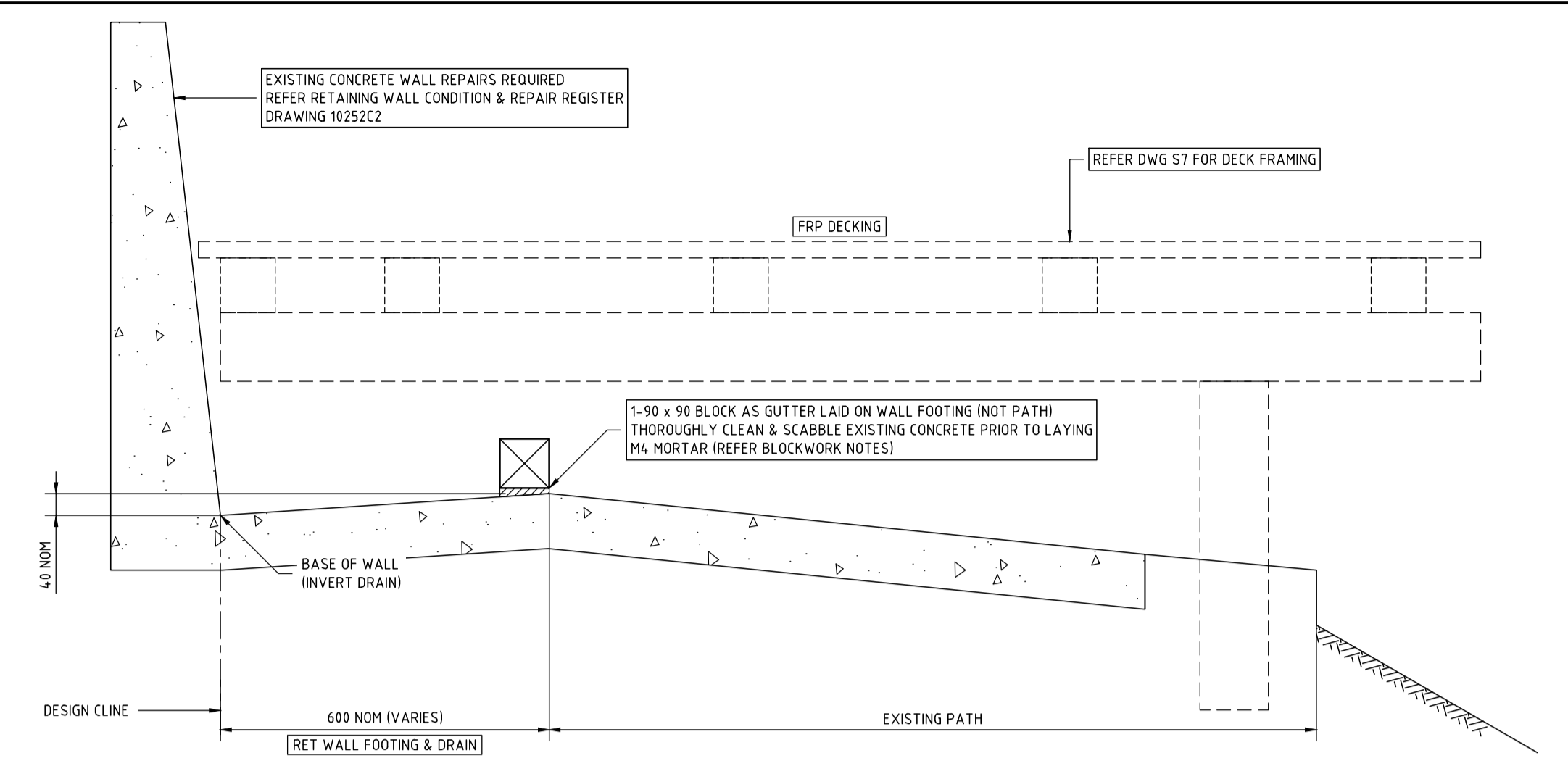
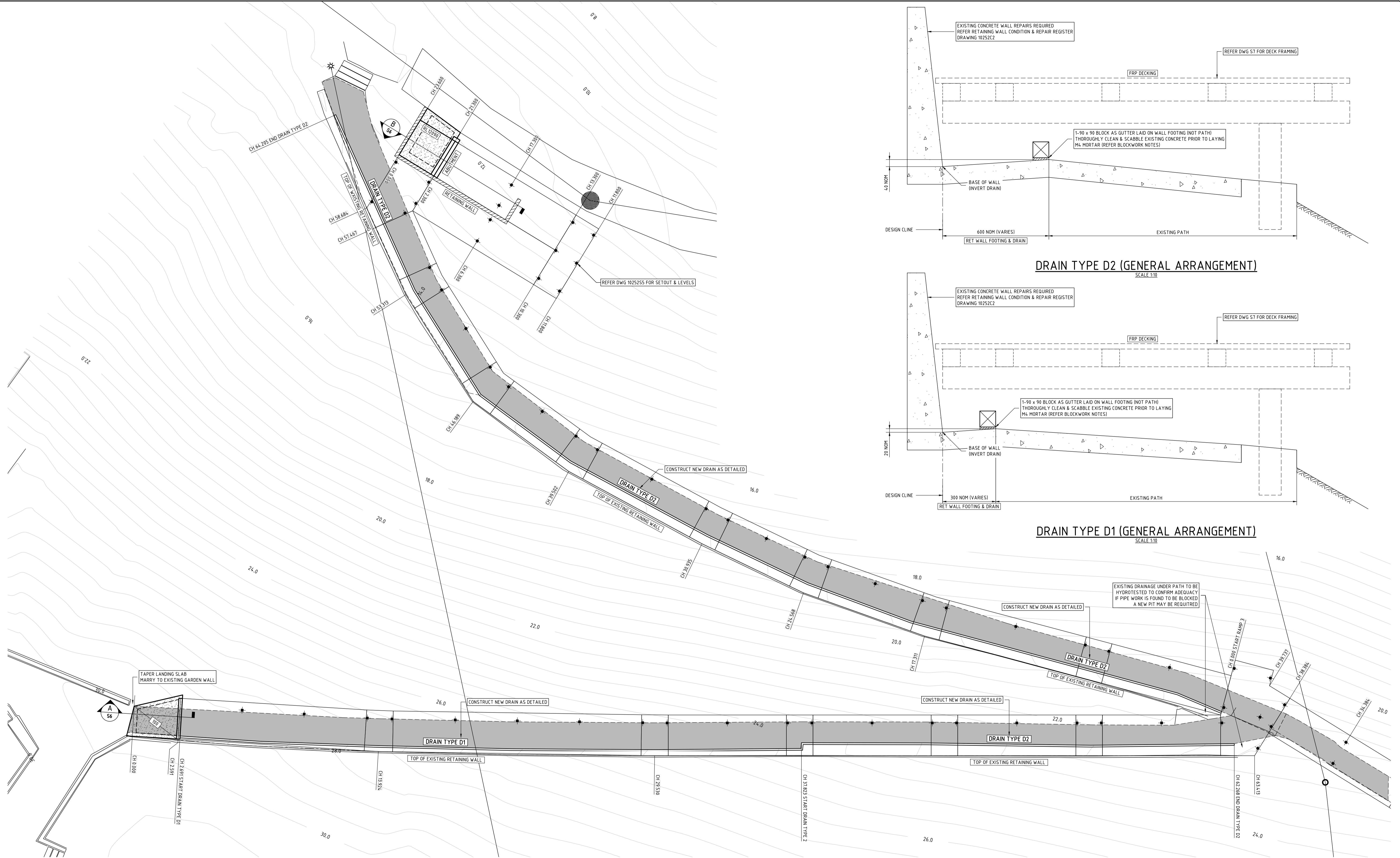
PROJECT: YAMBA BEACH ZIG-ZAG PATHWAY YAMBA

TITLE: RAMP CROSS SECTIONS GENERAL ARRANGEMENT

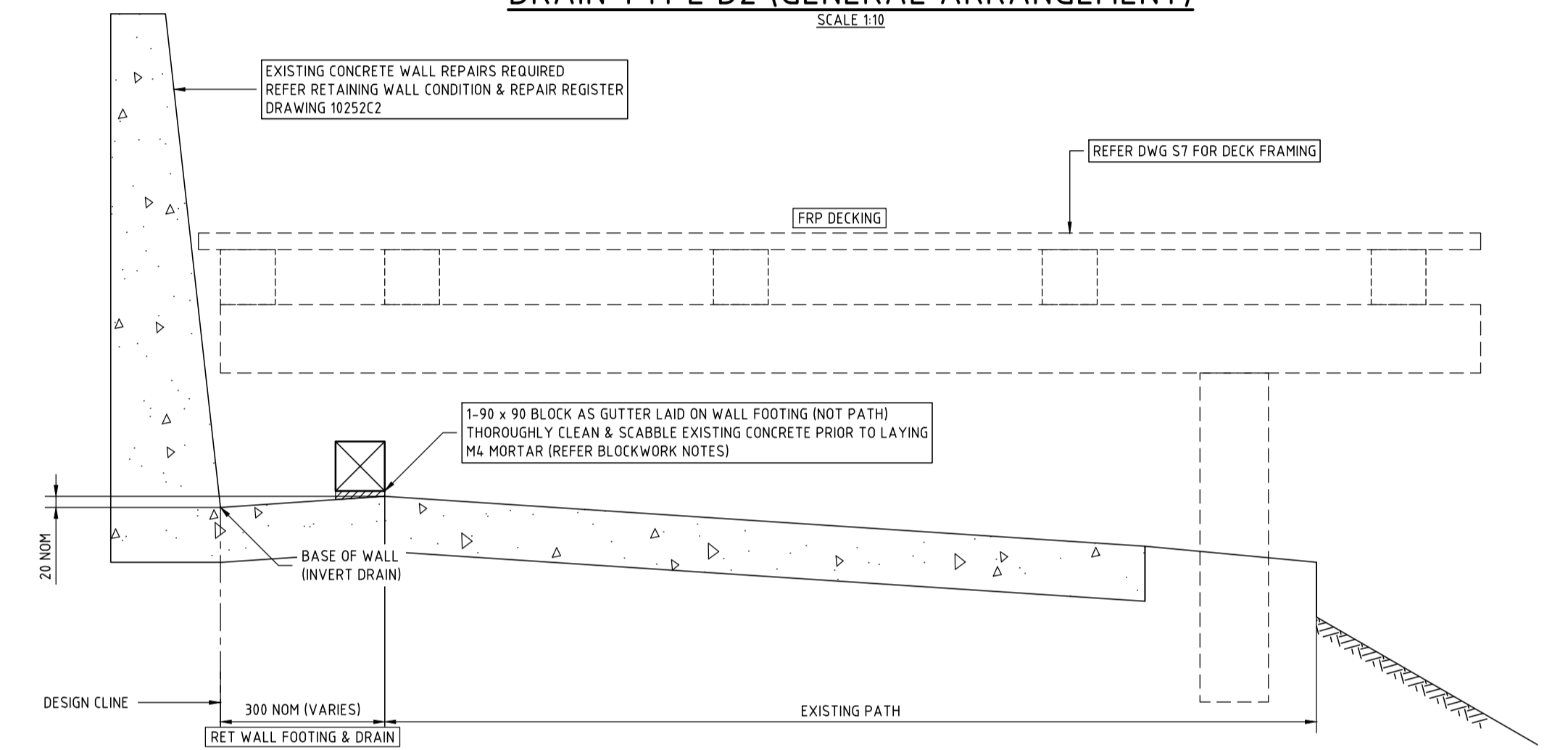
ISSUED FOR TENDER PURPOSES ONLY NOT TO BE USED FOR CONSTRUCTION

DESIGNED	DN	DRAWN	PKC	SCALE	1:10 - A1
CHECKED	DN	DATE	21/04/2021	DATUM	AHD
APPROVED	D.W.NIPROSKI	MIE Aust	3695768	CAD FILE	10252S7.dwg
JOB No	10252	DWG No	S7	ISSUE	A

C:\APR1\10252\10252S7.dwg 21/04/2021 11:05:00 AM



DRAIN TYPE D2 (GENERAL ARRANGEMENT)
SCALE 1:10



DRAIN TYPE D1 (GENERAL ARRANGEMENT)
SCALE 1:10

STORMWATER DRAINAGE PLAN RAMP Nos 2 & 3
SCALE 1:100 (NAT)

C:\APR\10252\10252C1.dwg, 21/04/2021, 11:05:06 AM

0		10		20		30		40		50		100		150		200		250		300		350		400		450		500		550		600		650	
A		21/04/2021		TENDER ISSUE A		PC																													
ISSUE	DATE	DESCRIPTION														APP'D																			



CLIENT: **CLARENCE VALLEY COUNCIL**

PROJECT: **YAMBA BEACH ZIG-ZAG PATHWAY YAMBA**

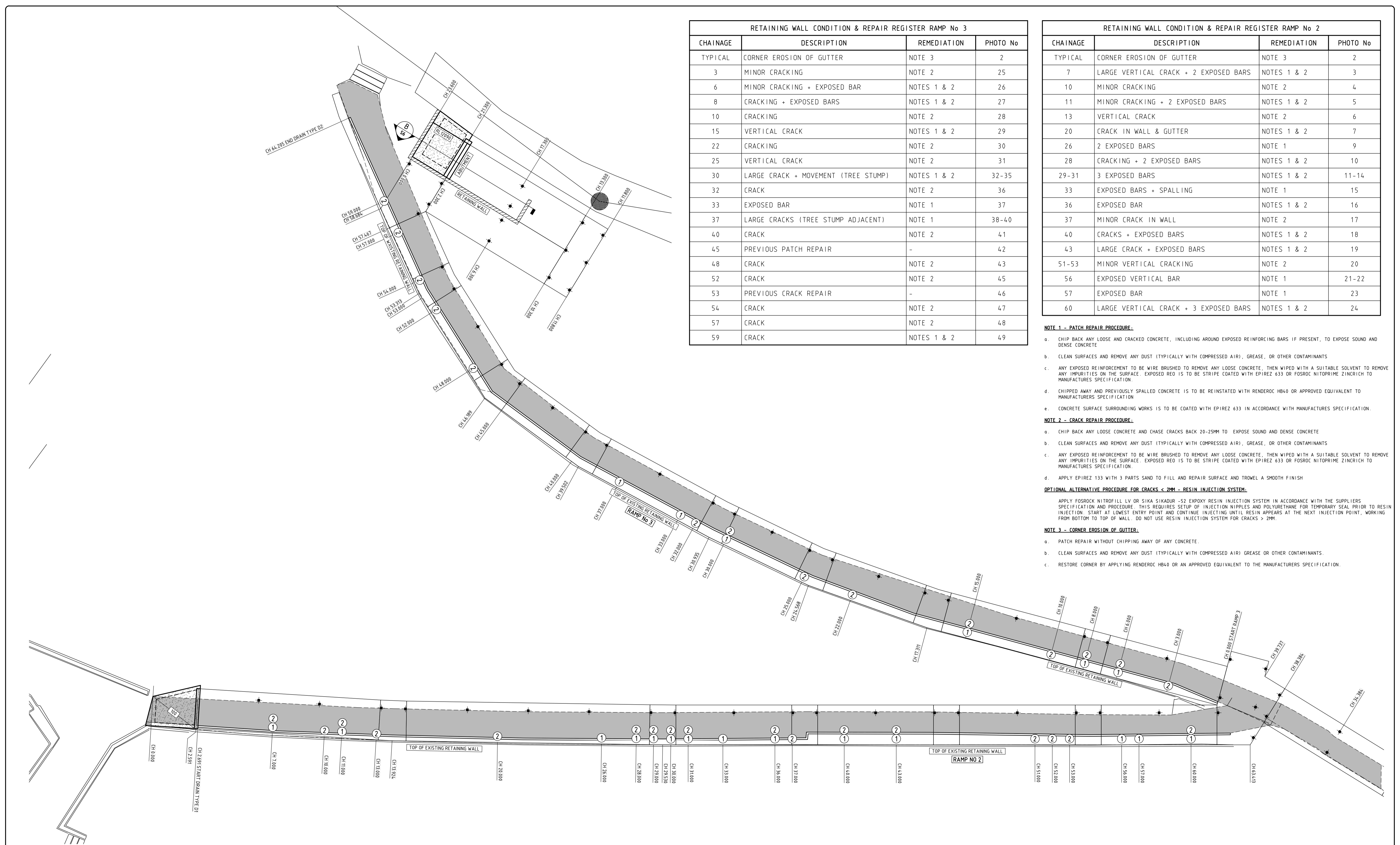
TITLE: **STORMWATER DRAINAGE WORKS RAMP Nos 2 & 3**

DO NOT SCALE DRAWING. USE WRITTEN DIMENSIONS ONLY
THIS PLAN IS COPYRIGHT © ALL RIGHTS RESERVED.



TENDER ISSUE

ISSUED FOR TENDER PURPOSES ONLY NOT TO BE USED FOR CONSTRUCTION			
DESIGNED	DN	DRAWN	PKC
CHECKED	DN	DATE	21/04/2021
APPROVED	D.W.NIPROSKI - MIE Aust 3695768	DATUM	AHD
JOB No	10252	DWG No	C1
ISSUE	A		



RETAINING WALL CONDITION & REPAIR REGISTER RAMP No 3			
CHAINAGE	DESCRIPTION	REMEDIATION	PHOTO No
TYPICAL	CORNER EROSION OF GUTTER	NOTE 3	2
3	MINOR CRACKING	NOTE 2	25
6	MINOR CRACKING + EXPOSED BAR	NOTES 1 & 2	26
8	CRACKING + EXPOSED BARS	NOTES 1 & 2	27
10	CRACKING	NOTE 2	28
15	VERTICAL CRACK	NOTES 1 & 2	29
22	CRACKING	NOTE 2	30
25	VERTICAL CRACK	NOTE 2	31
30	LARGE CRACK + MOVEMENT (TREE STUMP)	NOTES 1 & 2	32-35
32	CRACK	NOTE 2	36
33	EXPOSED BAR	NOTE 1	37
37	LARGE CRACKS (TREE STUMP ADJACENT)	NOTE 1	38-40
40	CRACK	NOTE 2	41
45	PREVIOUS PATCH REPAIR	-	42
48	CRACK	NOTE 2	43
52	CRACK	NOTE 2	45
53	PREVIOUS CRACK REPAIR	-	46
54	CRACK	NOTE 2	47
57	CRACK	NOTE 2	48
59	CRACK	NOTES 1 & 2	49

RETAINING WALL CONDITION & REPAIR REGISTER RAMP No 2			
CHAINAGE	DESCRIPTION	REMEDIATION	PHOTO No
TYPICAL	CORNER EROSION OF GUTTER	NOTE 3	2
7	LARGE VERTICAL CRACK + 2 EXPOSED BARS	NOTES 1 & 2	3
10	MINOR CRACKING	NOTE 2	4
11	MINOR CRACKING + 2 EXPOSED BARS	NOTES 1 & 2	5
13	VERTICAL CRACK	NOTE 2	6
20	CRACK IN WALL & GUTTER	NOTES 1 & 2	7
26	2 EXPOSED BARS	NOTE 1	9
28	CRACKING + 2 EXPOSED BARS	NOTES 1 & 2	10
29-31	3 EXPOSED BARS	NOTES 1 & 2	11-14
33	EXPOSED BARS + SPALLING	NOTE 1	15
36	EXPOSED BAR	NOTES 1 & 2	16
37	MINOR CRACK IN WALL	NOTE 2	17
40	CRACKS + EXPOSED BARS	NOTES 1 & 2	18
43	LARGE CRACK + EXPOSED BARS	NOTES 1 & 2	19
51-53	MINOR VERTICAL CRACKING	NOTE 2	20
56	EXPOSED VERTICAL BAR	NOTE 1	21-22
57	EXPOSED BAR	NOTE 1	23
60	LARGE VERTICAL CRACK + 3 EXPOSED BARS	NOTES 1 & 2	24

- NOTE 1 - PATCH REPAIR PROCEDURE:**
- CHIP BACK ANY LOOSE AND CRACKED CONCRETE, INCLUDING AROUND EXPOSED REINFORCING BARS IF PRESENT, TO EXPOSE SOUND AND DENSE CONCRETE.
 - CLEAN SURFACES AND REMOVE ANY DUST (TYPICALLY WITH COMPRESSED AIR), GREASE, OR OTHER CONTAMINANTS.
 - ANY EXPOSED REINFORCEMENT TO BE WIRE BRUSHED TO REMOVE ANY LOOSE CONCRETE, THEN WIPED WITH A SUITABLE SOLVENT TO REMOVE ANY IMPURITIES ON THE SURFACE. EXPOSED REO IS TO BE STRIPE COATED WITH EPIREZ 633 OR FOSROC NITOPRIME ZINCRICH TO MANUFACTURERS SPECIFICATION.
 - CHIPPED AWAY AND PREVIOUSLY SPALLED CONCRETE IS TO BE REINSTATED WITH RENDEROC HB40 OR APPROVED EQUIVALENT TO MANUFACTURERS SPECIFICATION.
 - CONCRETE SURFACE SURROUNDING WORKS IS TO BE COATED WITH EPIREZ 633 IN ACCORDANCE WITH MANUFACTURERS SPECIFICATION.
- NOTE 2 - CRACK REPAIR PROCEDURE:**
- CHIP BACK ANY LOOSE CONCRETE AND CHASE CRACKS BACK 20-25MM TO EXPOSE SOUND AND DENSE CONCRETE.
 - CLEAN SURFACES AND REMOVE ANY DUST (TYPICALLY WITH COMPRESSED AIR), GREASE, OR OTHER CONTAMINANTS.
 - ANY EXPOSED REINFORCEMENT TO BE WIRE BRUSHED TO REMOVE ANY LOOSE CONCRETE, THEN WIPED WITH A SUITABLE SOLVENT TO REMOVE ANY IMPURITIES ON THE SURFACE. EXPOSED REO IS TO BE STRIPE COATED WITH EPIREZ 633 OR FOSROC NITOPRIME ZINCRICH TO MANUFACTURERS SPECIFICATION.
 - APPLY EPIREZ 133 WITH 3 PARTS SAND TO FILL AND REPAIR SURFACE AND TROWEL A SMOOTH FINISH.
- OPTIONAL ALTERNATIVE PROCEDURE FOR CRACKS < 2MM - RESIN INJECTION SYSTEM:**
- APPLY FOSROCK NITROFILL LV OR SIKKA SIKADUR -52 EPOXY RESIN INJECTION SYSTEM IN ACCORDANCE WITH THE SUPPLIERS SPECIFICATION AND PROCEDURE. THIS REQUIRES SETUP OF INJECTION NIPPLES AND POLYURETHANE FOR TEMPORARY SEAL PRIOR TO RESIN INJECTION. START AT LOWEST ENTRY POINT AND CONTINUE INJECTING UNTIL RESIN APPEARS AT THE NEXT INJECTION POINT, WORKING FROM BOTTOM TO TOP OF WALL. DO NOT USE RESIN INJECTION SYSTEM FOR CRACKS > 2MM.
- NOTE 3 - CORNER EROSION OF GUTTER:**
- PATCH REPAIR WITHOUT CHIPPING AWAY OF ANY CONCRETE.
 - CLEAN SURFACES AND REMOVE ANY DUST (TYPICALLY WITH COMPRESSED AIR) GREASE OR OTHER CONTAMINANTS.
 - RESTORE CORNER BY APPLYING RENDEROC HB40 OR AN APPROVED EQUIVALENT TO THE MANUFACTURERS SPECIFICATION.

EXISTING RETAINING WALL CONDITION & REPAIR PLAN
SCALE 1:100 (NAT)

- LEGEND
- ① REFER NOTE 1 - PATCH REPAIR PROCEDURE
 - ② REFER NOTE 2 - CRACK REPAIR PROCEDURE
 - ②① REFER NOTES 1 & 2 - PATCH REPAIR PROCEDURE & CRACK REPAIR PROCEDURE

0		10		20		30		40		50		100		150		200		250		300		350		400		450		500		550		600		650	
A		21/04/2021		TENDER ISSUE A		PC																													
ISSUE	DATE	DESCRIPTION										APP'D																							

CLIENT:

CLARENCE VALLEY COUNCIL

PROJECT:

YAMBA BEACH ZIG-ZAG PATHWAY
YAMBA

TITLE:

EXISTING RETAINING WALL
CONDITION & REPAIR PLAN

DO NOT SCALE DRAWING. USE WRITTEN DIMENSIONS ONLY
THIS PLAN IS COPYRIGHT © ALL RIGHTS RESERVED.

Ardill Payne & PARTNERS

ENGINEERS | PLANNERS | SURVEYORS | ENVIRONMENTAL | PROJECT MANAGEMENT

BALLINA 45 RIVER STREET 02 66863280
GUNNEDAH 285 CONADILLY STREET 02 67429955
ABN51808558977 info@ardillpayne.com.au

TENDER ISSUE

ISSUED FOR TENDER PURPOSES ONLY
NOT TO BE USED FOR CONSTRUCTION

DESIGNED	DN	DRAWN	PKC	SCALE	1:100 - A1
CHECKED	DN	DATE	21/04/2021	DATUM	AHD
APPROVED	D.W.NIPROSKI - MIE Aust 3695768			CAD FILE	10252C2.dwg
JOB No	10252		DWG No	C2	ISSUE
					A

C:\APP\10252\10252C2.dwg, 21/04/2021, 11:05:11 AM